



SOBA HR HY MECA HR HY



FLOAT LEVEL REGULATOR

For automatic regulation with several devices



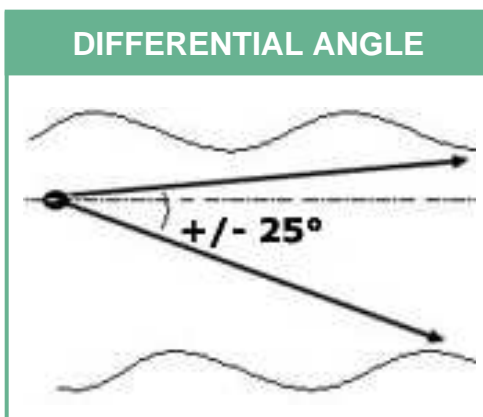
USE

VR – Emptying / Filling

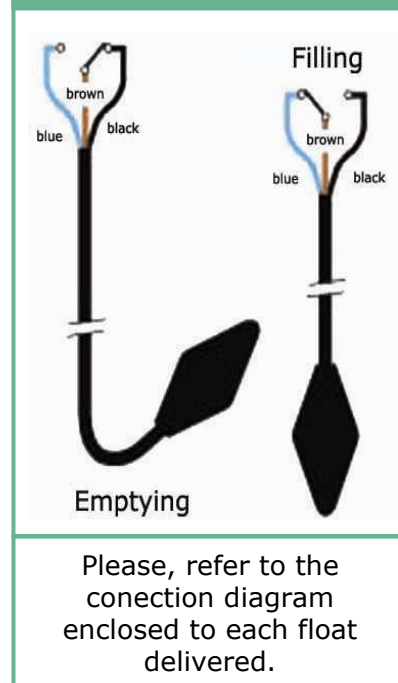
SIZE

Height: 200 mm – Diameter: 92 mm

DIFFERENTIAL ANGLE



WIRING



APPLIANCES

Same applications as the standard SOBA model. But, thanks to its double shape in HR HY (hypalon), it is especially recommended for corrosive liquid mixtures containing bases, oils and acid products... (please, refer to the SOBA technical sheet)

TECHNICAL CHARACTERISTICS

| | |
|--------------------------------------|--|
| Operation mode | Omnidirectional |
| Allowed fluid density | 0,80 a 1,10 |
| Maximum pressure | 4 bars |
| Maximum temperature | 90°C |
| Protection index | IP 68 <input type="checkbox"/> |
| Electric characteristics | 12, 24, 48 VAC/VDC and 250 VAC- 50/60 Hz |
| Cut-out power | 16 (6) A (16 A resistive - 6 A inductive) |
| Microswitch | Silver / nickel reverser contacts |
| Biconical shell (2) | Copolymer polypropylene + HR HY (hypalon) |
| Cable | HR HY (hypalon) H07RN8-F |
| Cable type | 3 conductors 1 mm ² |
| Float weight without cable | 295 g |
| Cable weight | HR HY 110 g/m |
| Adjustable ballast on cable (series) | Loaded resin 250 g |
| Standard cable length (series) | 5, 6, 10, 13, 15, 20 and 25 m (other lengths on request) |